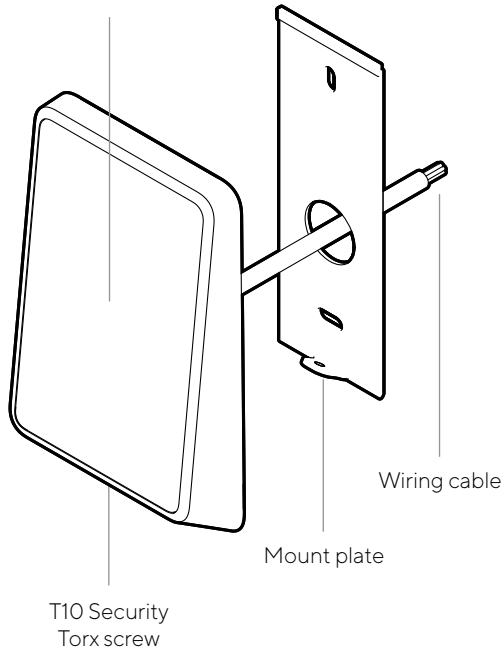


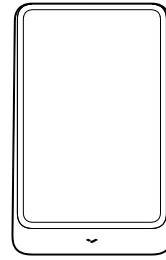
AD31 Reader

AD31 Overview

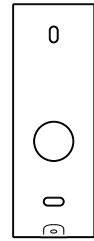
RFID, touch-less access
and status LED interface



What's in the box



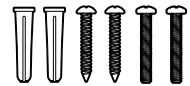
1 AD31 Reader



1 Mount plate



1 T10 Security Torx Allen key



2 Wall anchors,
2 wall mount screws &
2 junction box machine
screws (6-32)

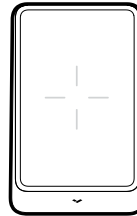
What you'll need

- A working internet connection
- A smartphone or laptop
- A #2 Phillips driver (screwdriver or power drill)
- For non-Junction Box install:
 - 1/4 inch (6.35mm) drill bit if using wall anchors
 - 1/8 inch (3mm) drill bit for pilot holes
 - 1/2 inch (12.7mm) drill bit, or larger, for routing cable through wall
- Wall mount screws & wall anchors (included)

Please note:

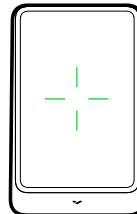
To reduce potential safety issues, only use the PoE adapter provided with the product, a replacement PoE adapter provided by Verkada, or a PoE adapter purchased as an accessory from Verkada.

AD31 LED Behavior



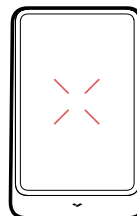
White

Reader is active and ready for secure badge entrance.



Green

Reader has successfully processed a user scan.

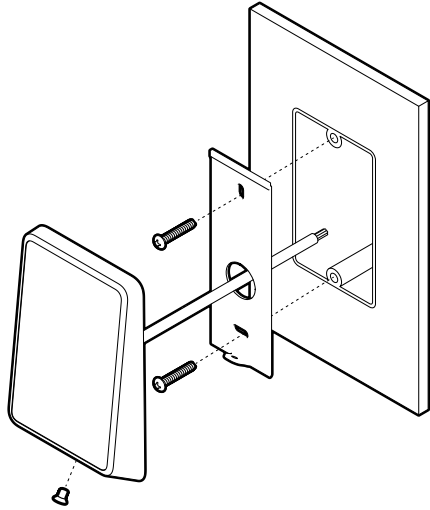


Red

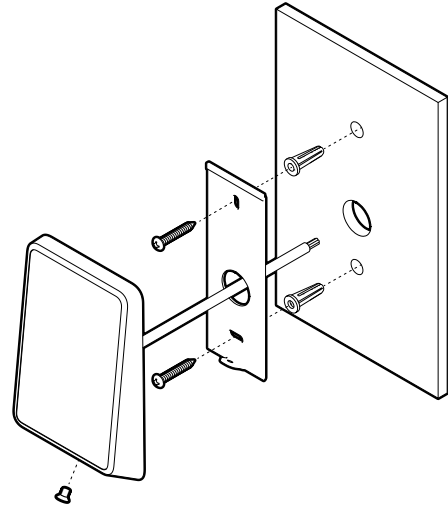
Reader has identified a negative read. Re-scan or investigate bad scan.

AD31 Mounting

1. Route building-side cable through the circular opening in the Mount Plate.
2. Secure the Mount Plate to the junction box using 2 provided machine screws that match the junction box.
3. Connect the wires using the table on the adjacent page as reference.
4. Hook the Reader over the top lip on the mount plate.
5. Secure the Reader to the Mount Plate using the T10 security screw and Allen key (provided).



1. Using the Mount Plate as your template, mark and drill two holes. Depending on your mounting surface you may need to drill pilot holes. If required, insert wall anchors now.
2. Drill ½ inch (12.7mm) hole into wall for cable routing if necessary.
3. Route building-side cable through the circular opening in the Mount Plate.
4. Connect the wires using the table on the adjacent page as reference.
5. Secure the Mount Plate using 2 provided screws.
6. Hook the Reader over the top lip on the Mount Plate.
7. Secure the Reader to the Mount Plate using the T10 security screw and Allen key (provided).



AD31 Wiring

Reference the table below for AD31 installation.

Pigtail Color	Abbreviation	Name
Black	-	Ground
Blue	B	RS485-B
Purple	A	RS485-A
Red	+	+12V IN

Reference the table below for auxiliary Wiegand installation.

Pigtail Color	Abbreviation	Name
Orange	VO	Wiegand Voltage
Gray	GND	Wiegand RTN
Green	WD0	Wiegand Data 0
White	WD1	Wiegand Data 1
Brown	LED	Wiegand LED
Yellow	BUZZER	Wiegand Buzzer

Once powered on:

- Indicator LEDs (8) will illuminate white during initial power on. Once 4 white LEDs create a 'plus' sign, you are ready to scan.
- Scan a physical RFID card to confirm the reader is properly functioning with the access control system.
- For additional assistance please visit www.verkada.com/support

Support

Thank you for purchasing a Verkada sensor.

If for any reason things don't work right or you need assistance, please contact us immediately.

Sincerely,

The Verkada Team

www.verkada.com/support

Federal Communication Commission Interference Statement

This device complies with Part 15 of the FCC Rules. Operation is subject to the following two conditions: (1) This device may not cause harmful interference, and (2) this device must accept any interference received, including interference that may cause undesired operation.

This equipment has been tested and found to comply with the limits for a Class B digital device, pursuant to Part 15 of the FCC Rules. These limits are designed to provide reasonable protection against harmful interference in a residential installation. This equipment generates, uses and can radiate radio frequency energy and, if not installed and used in accordance with the instructions, may cause harmful interference to radio communications. However, there is no guarantee that interference will not occur in a particular installation. If this equipment does cause harmful interference to radio or television reception, which can be determined by turning the equipment off and on, the user is encouraged to try to correct the interference by one of the following measures:

- Reorient or relocate the receiving antenna.
- Increase the separation between the equipment and receiver.
- Connect the equipment into an outlet on a circuit different from that to which the receiver is connected.
- Consult the dealer or an experienced radio/TV technician for help.

FCC Caution: Any changes or modifications not expressly approved by the party responsible for compliance could void the user's authority to operate this equipment.

This transmitter must not be co-located or operating in conjunction with any other antenna or transmitter.

Radiation Exposure Statement:

The product comply with the FCC portable RF exposure limit set forth for an uncontrolled environment and are safe for intended operation as described in this manual. The further RF exposure reduction can be achieved if the product can be kept as far as possible from the user body or set the device to lower output power if such function is available.

Industry Canada statement

This device complies with ISED's licence-exempt RSSs. Operation is subject to the following two conditions: (1) This device may not cause harmful interference, and (2) this device must accept any interference received, including interference that may cause undesired operation.

Le présent appareil est conforme aux CNR d'ISED applicables aux appareils radio exempts de licence. L'exploitation est autorisée aux deux conditions suivantes : (1) le dispositif ne doit pas produire de brouillage préjudiciable, et (2) ce dispositif doit accepter tout brouillage reçu, y compris un brouillage susceptible de provoquer un fonctionnement indésirable.

Radiation Exposure Statement:

The product comply with the Canada portable RF exposure limit set forth for an uncontrolled environment and are safe for intended operation as described in this manual. The further RF exposure reduction can be achieved if the product can be kept as far as possible from the user body or set the device to lower output power if such function is available.

Déclaration d'exposition aux radiations:

Le produit est conforme aux limites d'exposition pour les appareils portables RF pour les Etats-Unis et le Canada établies pour un environnement non contrôlé.

Le produit est sûr pour un fonctionnement tel que décrit dans ce manuel. La réduction aux expositions RF peut être augmentée si l'appareil peut être conservé aussi loin que possible du corps de l'utilisateur ou que le dispositif est réglé sur la puissance de sortie la plus faible si une telle fonction est disponible.